

HIGH POWER TERMINATION

20W

When properly mounted on an appropriate heat sink, this chip device provides high power dissipation capabilities. Ideal for ferrite isolator applications, the improved thin film design technology and laser trimming provide proven RF power capabilities to meet the demands of today's CAMA and WCDMA system requirements.

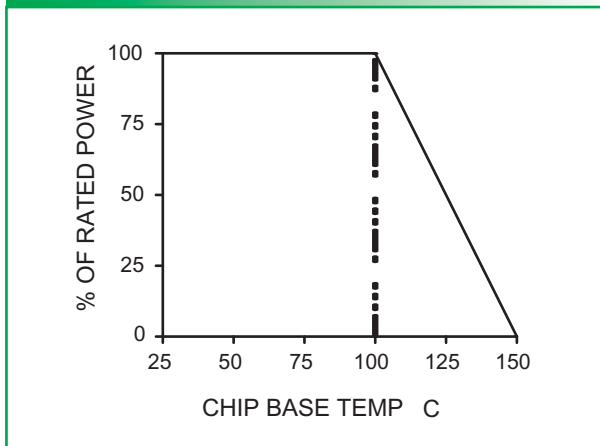
- Environmentally friendly ALN substrate
- Hi-performance thin film element
- Power Handling of 20Watts
- New adhesion process results in improved terminal strength
- On-chip matching network improves frequency performance over the DC- 5 Ghz frequency range
- Rohs compliant

SPECIFICATIONS

| Parameters | Specifications |
|-----------------------|------------------|
| Frequency Range | DC to 5 GHz |
| Power | 20 Watts* |
| VSWR | max 1.15:1 |
| Resistance | 50 ohms +/- 2% |
| Operating Temperature | -55 C to 150 C |
| Substrate | Aluminum Nitride |

* Refer to average power derating curve chart.

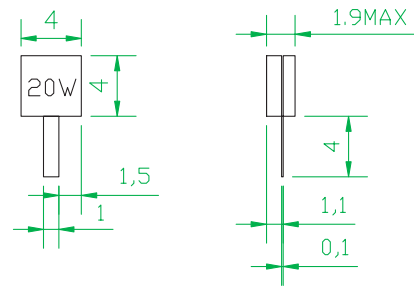
AVERAGE POWER DERATING CURVE



LEADED DIMENSIONS

P/N: MANL160160T050G

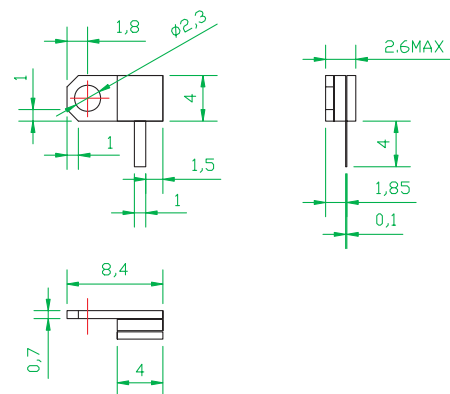
unit: mm



FLANGED DIMENSIONS

P/N: MANF160160T050G

unit: mm



The tab direction may be left or right by custom required.



CENTRON ELECTRONIC(SHENZHEN) CO.,LTD.

Add: 1602#. North tower, Cangsong Bldg. chegongmiao. Futian, Shenzhen

Tel: 0755-83846776

Fax: 0755-83846775

Http://www.rf-power.com.cn

E-mail: milcom@milcom.com.cn

2006 MAR